



'S' Series Bag Filters

Crall bag filters are designed to use No. 2 size, 7 x 32 bags. These vessels are capable of providing flow rates up to 3600 gpm.

All bag filters are designed in accordance with the ASME Boiler and Pressure Vessel Code, Section VIII, Division 1; with the 'U' stamp optional.

STANDARD FEATURES:

Design: ASME Section VIII, Div. 1

Design Pressure: 150 psig up to 1440 psig

Design Temperature: Up to 450 degrees F

Materials of Construction

Vessel: Carbon Steel

Internals: 304 ss

O-Ring: Buna 'N'

Inlet & Outlet: 150# RF Flange

Exterior Finish: Sand blast & shop enamel

Cover Lift: Mechanical 18" through 24", Hydraulic 30" and larger

OPTIONAL FEATURES:

Materials of Construction

Vessel: 304 or 316 ss (wetted parts only)

304 or 316 ss (complete)

Internals: 316 Stainless, Brass

O-Ring: Viton*, Teflon* encapsulated silicone, neoprene, others on special request

Exterior Finish: Special coatings on request

Interior Finish: Coal tar epoxy

Pressure Gauges: Direct reading differential

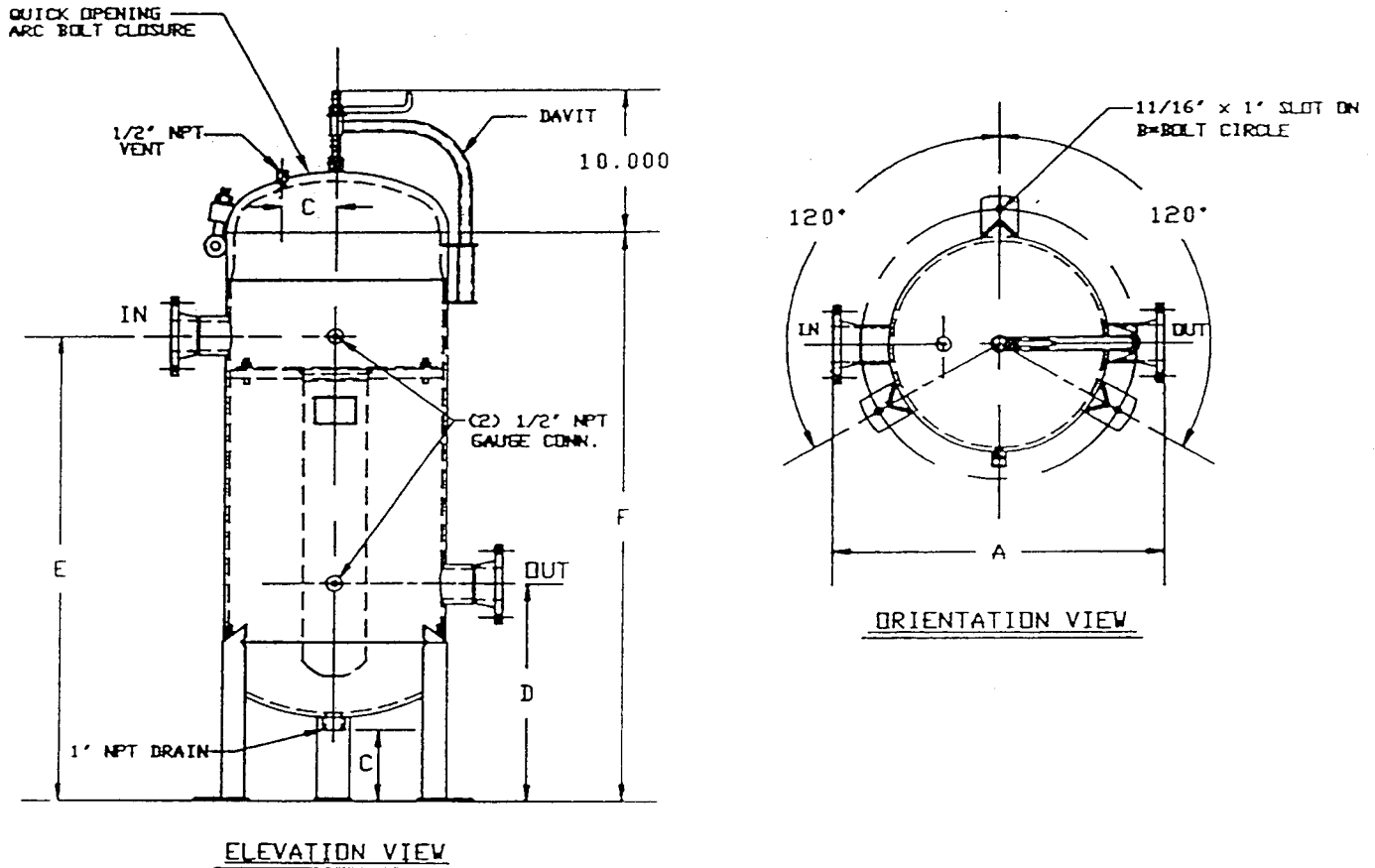
Inlet & Outlet: FNPT connections

High Pressure Ratings: Higher pressure ratings are available upon request.

The '336 S' series vessels will accommodate a wide variety of No. 2 size, 7 x 32 bags.

*A trademark of E.I. DuPont de Nemours Co.

'S' Series Bag Filters



MODEL #	IN / OUT SIZE	# of BAGS	SHELL O.D.	A	B	C	D	E	F	Est. Weight
CBF-8-1-732-S	2	1	10.75	22.75	16.25	5	15.75	46	54	300#
CBF-18-2-732-S	3	2	18	30	24	5	18 1/2	46-1/5	63	525#
CBF-18-3-732-S	3	3	18	30	24	5	18 1/2	46-1/5	63	550#
CBF-20-4-732-S	4	4	20	32	26	5	19-1/2	47-1/4	64	650#
CBF-22-5-732-S	4	5	22	34	28	5	20	47-3/4	64-1/2	760#
CBF-24-6-732-S	6	6	24	36	30	5	21-1/2	49-1/4	66	880#
CBF-26-7-732-S	6	7	26	38	33-1/2	5	22	49-3/4	66-1/2	970#
CBF-28-8-732-S	8	8	28	40	35-1/2	5	23-3/4	51-1/2	68	1390#
CBF-32-10-732-S	8	10	32	44	39-1/2	5	24-3/4	52-1/2	69	1690#
CBF-36-14-732-S	10	14	36	48	43-1/2	5	29-1/2	57-1/2	74	1800#
CBF-42-18-732-S	12	18	42	54	49.5	5	30	57.75	74.5	2500#