



'718 PSL' Series

Crall '718 PSL' series vessels are designed to use 7 X 18 filter cartridges. These vessels are capable of providing flow rates to 1800 gpm. The pressure rating for the '718 PSL' series is 150 psig.

The '718 PSL' series vessels are designed in accordance with the ASME CODE design. All '718 PSL' series vessels feature inlet and outlet inline for ease of installation in existing lines.

STANDARD FEATURES:

Design Pressure: 150 psig

Design Temperature: Up to 450 degrees F

Materials of Construction

Vessel: Carbon Steel

Internals: Carbon Steel

O-Ring: Buna 'N'

Inlet & Outlet: 150# RF Flange

Exterior Finish: Sand blast & shop primer

OPTIONAL FEATURES:

Materials of Construction

Vessel: 304 or 316 ss (wetted parts only)

304 or 316 ss (complete)

Internals: 304 or 316 ss

O-Ring: Viton*, Teflon* encapsulated silicone, neoprene, others on special request

Exterior Finish: Special coatings on request

Interior Finish: Coal tar epoxy

Pressure Gauges: Direct reading differential

Inlet & Outlet: Flange connections

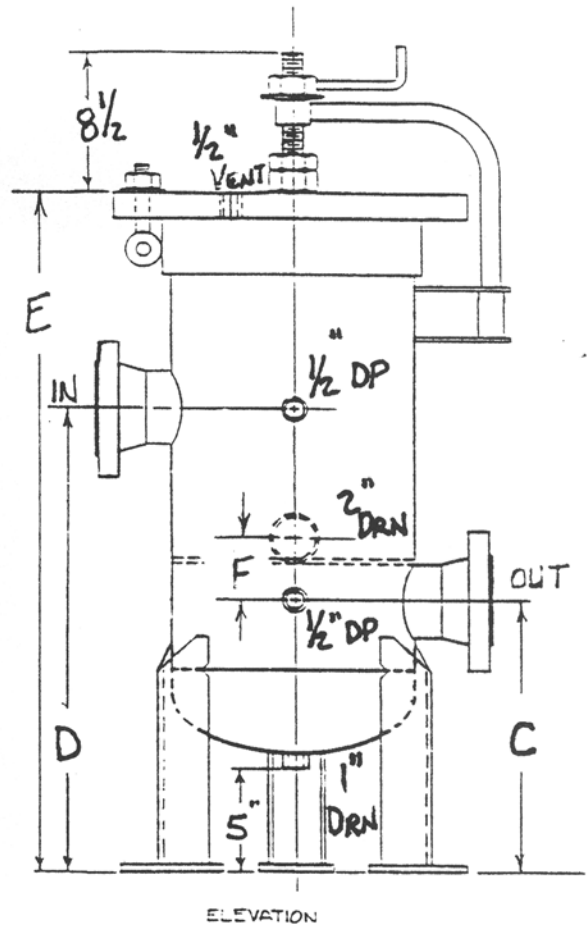
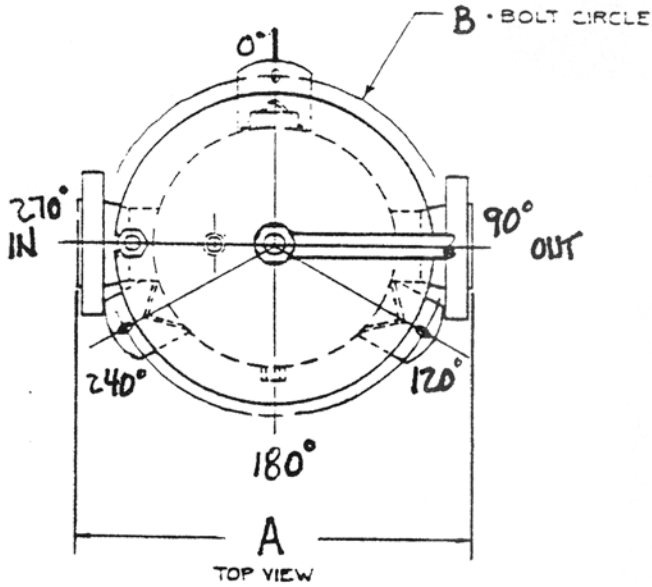
Cover Lift: Mechanical 16" and 18"

High Pressure Ratings: Higher pressure ratings are available upon request.

The 'PSL' series vessels will accommodate a wide variety of 7 X 18 cartridges.

*A trademark of E.I. DuPont de Nemours Co.

'718 PSL' Series



MODEL #	IN / OUT SIZE	# of CTG.	SHELL O.D.	A	B	C	D	E	F	Est. Weight
8-1-718-PSL	2	1	8-5/8	20-5/8	14-1/8	14-3/4	26-3/4	40	3	200#
8-1-736-PSL	2	2	8-5/8	20-5/8	14-1/8	14-3/4	32-3/4	58	3	250#
8-1-754-PSL	2	3	8-5/8	20-5/8	14-1/8	14-3/4	32-3/4	76	3	275#
16-3-718-PSL	4	3	16	28	22	18-1/2	30-1/2	44-5/8	4-1/8	475#
16-3-736-PSL	4	6	16	28	22	18-12	36-1/2	62-5/8	4-1/8	575#
18-4-736-PSL	4	8	18	30	24	19	37	63	4-1/8	690#
20-6-736-PSL	6	12	20	32	26	20-1/2	38-1/2	66	5-1/8	775#