



## '718 CV' Series

Crall '718 CV' series vessels are designed to use 7 x 18 filter cartridges. These vessels are capable of providing flow rates to 1800 gpm.

The '718 CV' series vessels are a NON-Code design. All '718 CV' series vessels feature inlet and outlet inline for ease of installation in existing lines.

### STANDARD FEATURES:

**Design Pressure:** 150 psig

**Design Temperature:** Up to 450 degrees F

#### Materials of Construction

**Vessel:** Carbon Steel

**Internals:** Carbon Steel

**O-Ring:** Buna 'N'

**Inlet & Outlet:** 3000# THD. Coupling

**Exterior Finish:** Sand blast & shop primer

### OPTIONAL FEATURES:

#### Materials of Construction

**Vessel:** 304 or 316 ss (wetted parts only)  
304 or 316 ss (complete)

**Internals:** 304 or 316 ss

**O-Ring:** Viton\*, Teflon\* encapsulated silicone, neoprene, others on special request

**Exterior Finish:** Special coatings on request

**Interior Finish:** Coal tar epoxy

**Pressure Gauges:** Direct reading differential

**Inlet & Outlet:** Flange connections

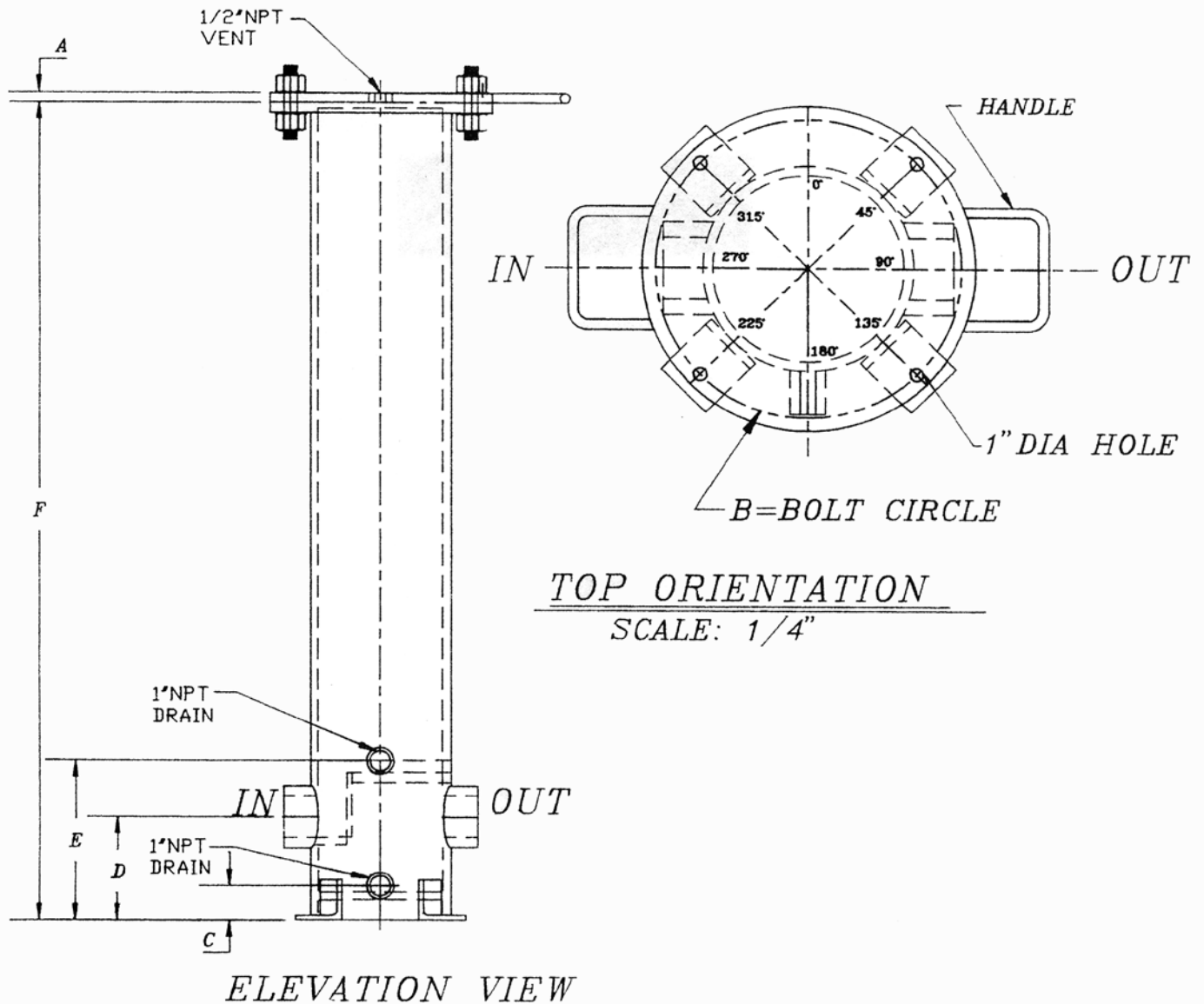
**Cover Lift:** Mechanical 16" and 18"

**High Pressure Ratings:** Higher pressure ratings are available upon request.

The 'CV' series vessels will accommodate a wide variety of 7 x 18 cartridges.

\*A trademark of E.I. Dupont de Nemours Co.

### 'CV' Series Filter Vessels



MODEL #	IN / OUT SIZE	# of CTG.	SHELL O.D.	A	B	C	D	E	F	Est. Weight
8-1-716-CV	2	1	8.625	.625	10.625	1.5	3.5	6.5	28.375	178#
8-1-736-CV	2	2	8.625	.625	10.625	1.5	3.5	6.5	46.375	200#
8-1-754-CV	2	3	8.625	.625	10.625	1.5	3.5	6.5	64.375	225#
16-3-718-CV	2	3	16	1	19	1.5	3.5	6.5	28.375	425#
16-3-736-CV	2	6	16	1	19	1.5	3.5	6.5	46.375	465#
16-3-754-CV	2	9	16	1	19	1.5	3.5	6.5	64.375	500#
16-4-736-CV	2	8	18	1	21	1.5	3.5	6.5	6.37	665#