



'644 S' Series

Crall '644 S' series vessels are designed to use 6" x 44" filter cartridges. These vessels are capable of providing flow rates to 1800+ gpm.

The '644' series vessels are designed in accordance with the ASME Boiler and Pressure Vessel Code, Section VIII, Division 1; with the 'U' stamp optional. All '644 S' series vessels feature inlet and outlet inline for ease of installation in existing lines.

STANDARD FEATURES:

Design: ASME Section VIII, Div. 1

Design Pressure: 150 psig up to 1440 psig

Design Temperature: Up to 450 degrees F

Materials of Construction

Vessel: Carbon Steel

Internals: Carbon Steel

O-Ring: Buna 'N'

Inlet & Outlet: RF Flange

Exterior Finish: Sand blast & shop enamel

Cover Lift: Mechanical 20" through 28", Hydraulic 36" and larger

OPTIONAL FEATURES:

Materials of Construction

Vessel: 304 or 316 ss (wetted parts only)

304 or 316 ss (complete)

Internals: 304 or 316 Stainless

O-Ring: Viton*, Teflon* encapsulated silicone, neoprene, others on special request

Exterior Finish: Special coatings on request

Interior Finish: Coal tar epoxy

Pressure Gauges: Direct reading differential

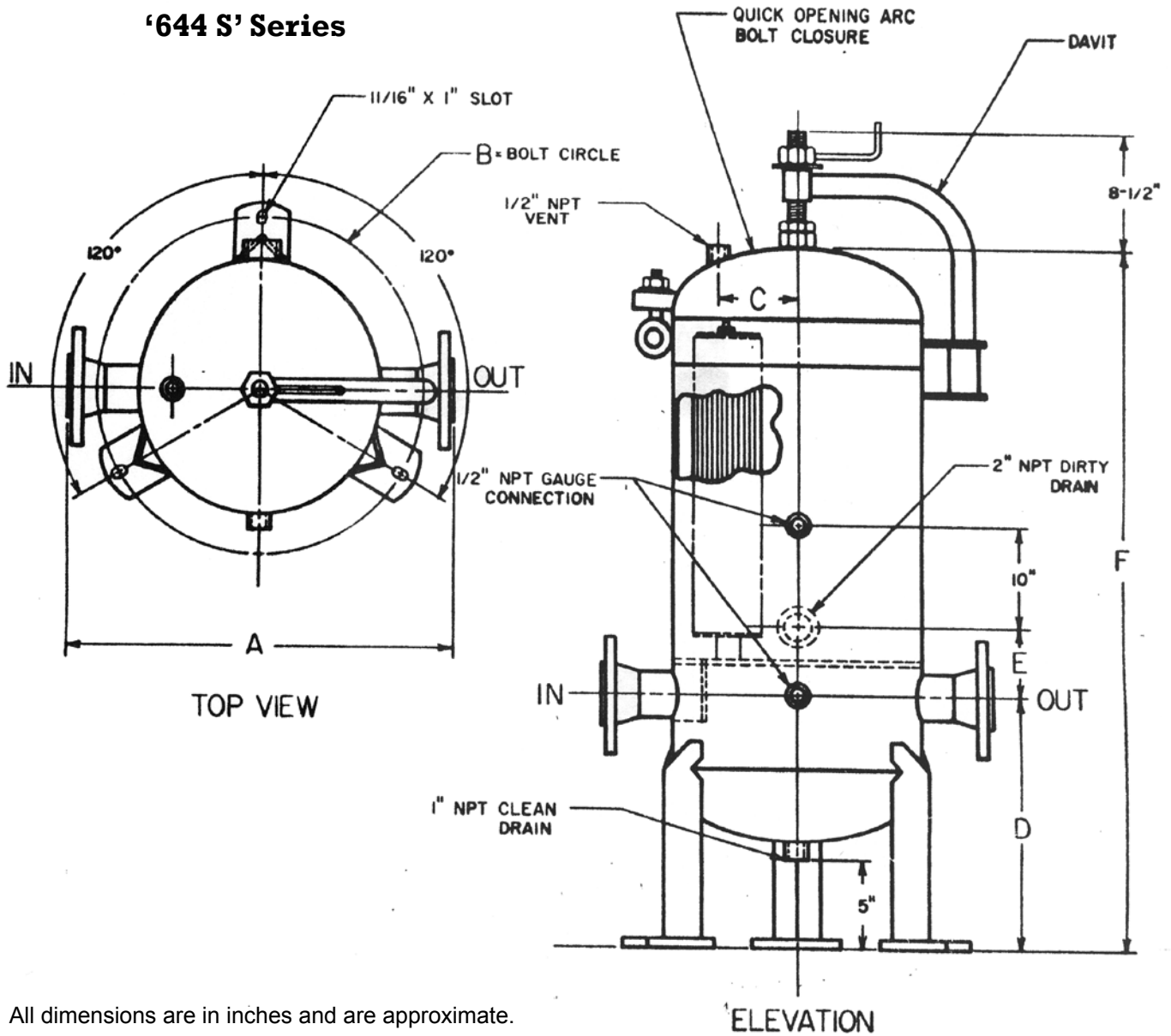
Inlet & Outlet: FNPT connections

High Pressure Ratings: Higher pressure ratings are available upon request.

The vessels will accommodate a wide variety of 6" x 44" cartridges.

*A trademark of E.I. DuPont de Nemours Co.

'644 S' Series



All dimensions are in inches and are approximate.

MODEL #	IN / OUT SIZE	# of CTG.	SHELL O.D.	A	B	C	D	E	F	Est. Weight
8-1-614-S	2	1	8-5/8	20-5/8	14-1/8	2	14-3/4	3	35-3/8	178#
8-1-628-S	2	2	8-5/8	20-5/8	14-1/8	2	14-3/4	3	49-3/8	196#
8-1-644-s	2	3	16	20-5/8	14-1/8	2	14-3/4	46-1/5	65-3/8	220#
16-3-644-S	4	9	16	28	22	4	18-9/16	4-1/16	72-1/16	548#
20-6-644-S	6	18	20	32	26	5	20-9/16	5-1/8	76-1/8	723#
24-8-644-S	6	24	24	36	30	6	20-9/16	5-1/8	76-1/8	996#
28-12-644-S	8	36	28	40	34	6	23-13/16	6-1/8	82-3/8	1162#
36-18-644-S	10	54	36	48	43-1/2	8	27	7-3/16	88-5/8	1789#
42-27-644-S	10	81	42	58	50	10	28-1/2	7-3/16	93-3/4	2200#